

INDUSTRIAL 2D LASER SCANNER

방폭형 2D 레이저 스캐너 DPS-2590EX



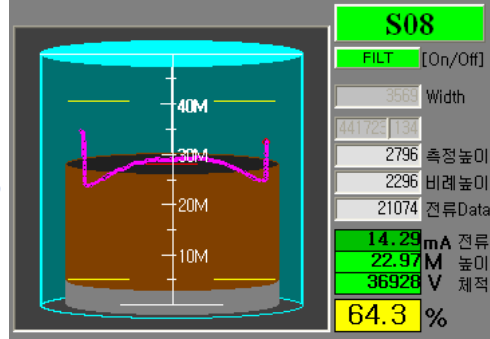
Laser Scanner & BIN Level System

DPS-2590EX / 방폭형



Key features

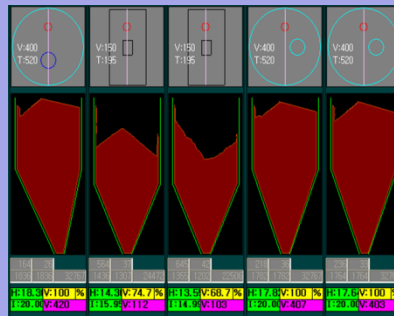
- Array Pulsed Laser TOF Scanner
→ 최고성능의 투과율 및 안정성
- 20~40Hz Scan Rate - Speed
- Distance: 250M/Max, 80M@10%
- 1000point/Scan, 0.09° / 90° Step
- Resolution: 1mm
- Accuracy: 4 mm
- Protection: IP67 NEMA-4X
- 방폭인증외함(DPS-2590EX)



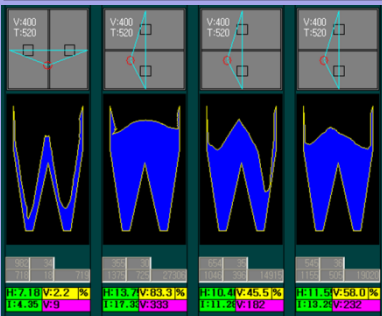
Industrial LASER SCANNER

| MODEL | DPS-2590EX |
|-------------------------------|--|
| LASER TYPE | Laser Type: Pulse Laser Diode Wavelength: 905 nm (Infrared) Safety: Class 1M, EN 60825-1 Pointer Laser: 645 nm (RED), Class 2 |
| SCAN & SPOT PROPERTIES | SCAN Angle: 90° (45-135°) SCAN Rate: 20Hz, Resolution: 0.09° (1000-Point/Scan) SCAN Rate: 40Hz, Resolution: 0.18° (500-Point/Scan) Beam Divergence (Y,V): 1.33 mrad(0.076°, 0.13M @ 100 m) Beam Divergence (X,H): 0.30 mrad(0.020°, 0.03M @ 100 m) Focusing SPOT: 12x16[mm]@45Meter |
| Measuring Quality | Distance Resolution: 1[mm] Distance Accuracy: 4[mm] (σ of single measurement: 4mm) Working Range Distance @White-Target: 250Meter @100% Working Range Distance @Dark-Target: 80Meter @10% Working Range Minimum: 1.6Meter |
| Power and Interface | Power Input: 24VDC (2.0A/Max) LAN Port: Ethernet RJ45 Serial Port: RS-232 & RS-422 |
| Environmental | Operating Temperature: -30 to +50 [°C] Humidity: 20% to 80% relative humidity |
| Enclosure Housing (Dimension) | Housing: 300 x 400 x 300 [mm] AL Die Casted, Dust proven / Protection: IP65 NEMA-4X 방폭인증(분진): Ex tD A21 IP65 |

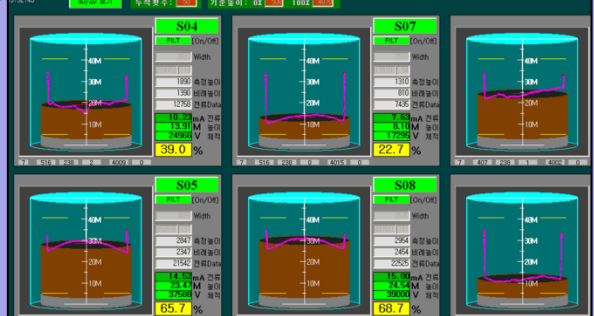
[5소결] BIN LEVEL MONITORING



[미분광] BIN LEVEL MONITORING



[SILO] BIN LEVEL MONITORING



다산인포텍
DASAN InfoTek

서울특별시 금천구 벚꽃로 254
월드메르디앙벤처센터1차 1411호
가산동(서울디지털산업단지,2단지)
TEL: 02-868-8277 FAX: 02-868-8233

INDUSTRIAL 2D LASER SCANNER

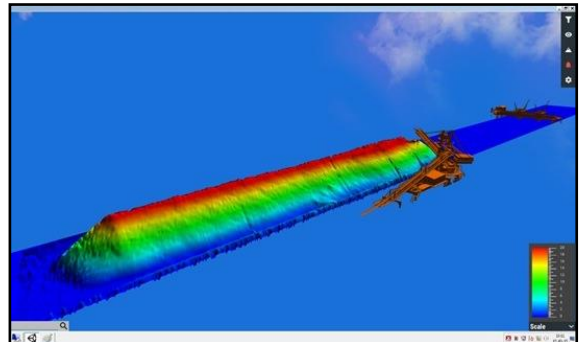
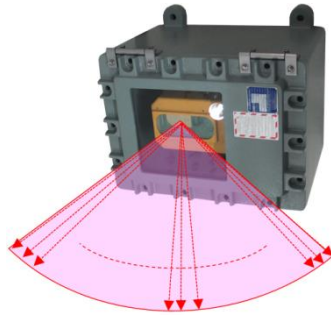
산업용 2D 레이저 스캐너
DPS-2590EX



Laser-Scanner & BIN Level System

Real Time LASER SCANNING

BIN-SILO-HOPPER Stockpile Monitoring



다산인포텍
DASAN InfoTek

2016-06-17 10:44:54
UTime: 2016-06-17 10:40:47

[SILO] BIN LEVEL MONITORING

출발: 00:00:00

종료: 00:00:00

S01

4M

3M

2M

1M

70.1 %

S02

4M

3M

2M

1M

83.5 %

S03

4M

3M

2M

1M

31.7 %

S04

4M

3M

2M

1M

94.8 %

S05

4M

3M

2M

1M

79.7 %

S06

4M

3M

2M

1M

16.0 %

S07

4M

3M

2M

1M

66.0 %

S08

4M

3M

2M

1M

75.4 %

S09

4M

3M

2M

1M

79.7 %

S10

4M

3M

2M

1M

80.8 %

S11

4M

3M

2M

1M

89.8 %

S12

4M

3M

2M

1M

52.6 %

S13

4M

3M

2M

1M

82.8 %

S14

4M

3M

2M

1M

15.1 %

S15

4M

3M

2M

1M

68.7 %



DSi 다산인포텍
DASAN InfoTek

서울특별시 금천구 빛골로 254
월드메르디앙벤처센터1차 1411호
가산동(서울디지털산업단지,2단지)
TEL:02-868-8277 FAX:02-868-8233